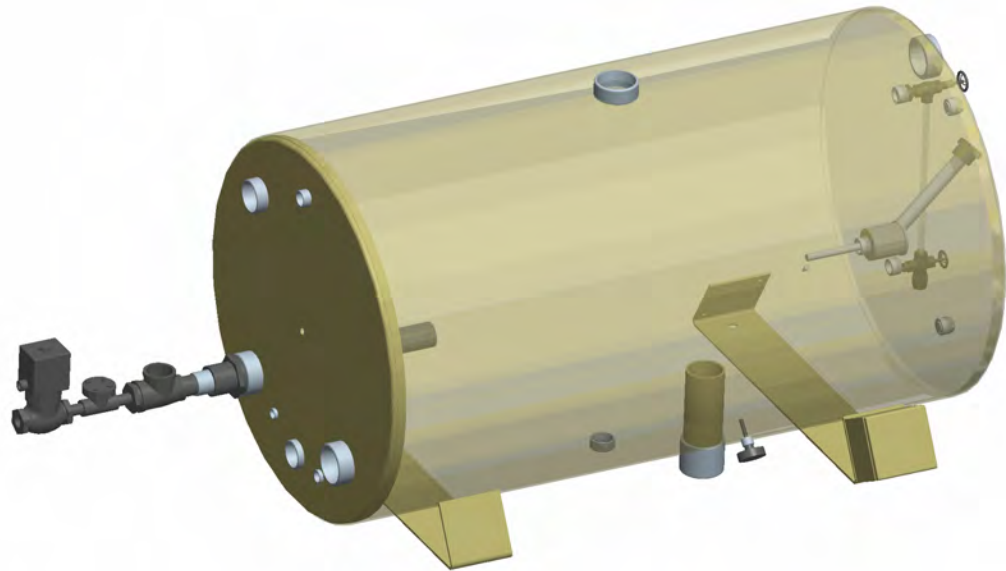


# Hotwell



Vertical Hotwell



Horizontal Hotwell

A Clayton Hotwell Tank is engineered as an atmospheric feedwater make-up and condensate receiver equipped with a water level control valve and a temperature regulating valve. Hotwells are available in several sizes for single and multiple Steam Generator installations. The Hotwell furnishes feedwater to the Steam Generator, provides a reservoir for return condensate and for introducing feedwater treatment into the feedwater.

Efficient blending of heating steam, feedwater treatment chemicals and condensate return with the make-up water is accomplished through an inducer (sparger) tube. The Hotwell must either be installed with sufficient head height for the Clayton feedwater pump(s) or with booster pumps installed between the Hotwell and the Clayton feedwater pump(s).

**Water Trim Kit:** Consists of a water level sensor and solenoid valve, a dial thermometer and a water level gauge glass.

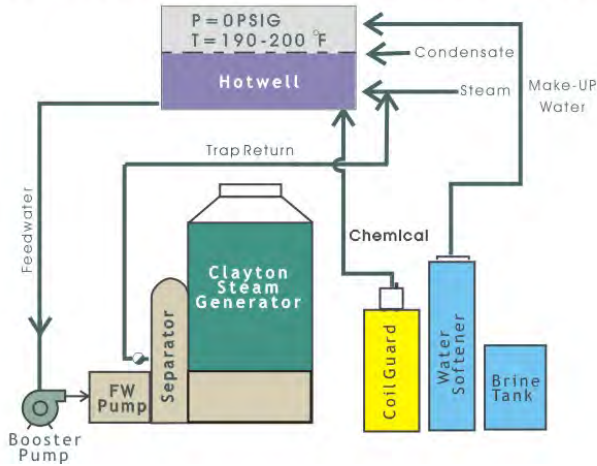
**Heater Trim Kit:** Designed to maintain Hotwell temperatures of 190°-200° F for oxygen removal and to activate feedwater treatment chemicals. A temperature switch, solenoid valve and pipe fitting are included.

Both kits require a 110V/60/1 electrical connection.

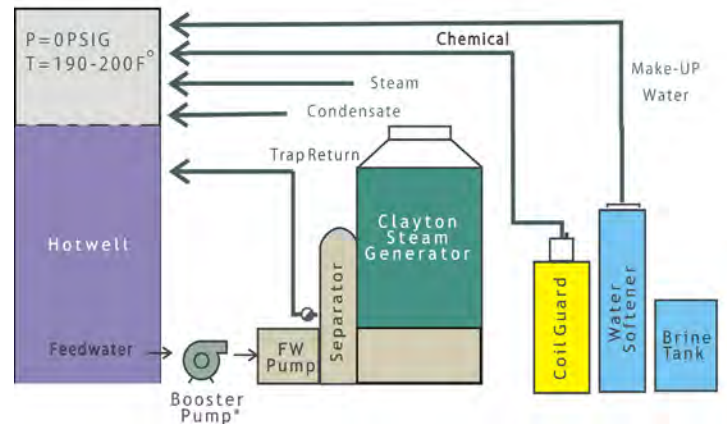
Horizontal Hotwells may be installed with included brackets or on optional Clayton packaged skids. Vertical Hotwells are supplied on a steel base. Refer to the Clayton Installation manual for minimum head height requirements for each size unit.

# SPECIFICATIONS

## Horizontal Hotwell Water Treatment System



## Vertical Hotwell Water Treatment System



BHP Range	Arrangement	Weight (pounds)		Volume (US gallons)		Dimensions (inches)		
		Shipping	Flooded	Operating	Full	Height	Length	Diameter
25-50	Vertical	710	1860	134	162	95.6	NA	22.4
75-100 Tall	Vertical	990	3490	276	330	123.6	NA	28
75-100 Short*	Vertical	830	2690	193	250	93.6	NA	28
125-200 Tall	Vertical	1270	4790	380	458	123.8	NA	34
125-200 Short	Vertical	1030	3665	270	345	93.8	NA	34
400 Tall	Vertical	1585	7195	588	716	123.8	NA	42.3
400 Short	Vertical	1335	5490	420	536	93.6	NA	42.3
20-60	Horizontal	300	750	45	60	25.6	30.9	24.4
65-100	Horizontal	475	1200	71	94	27	48.4	24.4
105-250	Horizontal	775	2880	180	266	37.9	60.8	36.4
255-350	Horizontal	915	4000	250	372	37.8	84.7	36.4
355-750	Horizontal	1475	7035	425	667	52	93.1	46.4
755-900	Horizontal	1550	8500	551	865	53.5	120.6	46.5

Dimensions do not include trim kits.  
 Dimensions are rounded to the nearest 1/10 inch.  
 Data is subject to change without notice.  
 Additional connection points available on each Hotwell.  
 \* Requires booster pump(s).

# Clayton

## INDUSTRIES

Your Single Source for Steam Technology Since 1930

**World Headquarters**  
 17477 Hurley Street  
 City of Industry, CA 91744  
 800.423.4585 tel • 626.435.0180 fax  
 email: sales@claytonindustries.com  
 www.claytonindustries.com

**Europe, Africa & Middle East Headquarters**  
 Rijksweg 30 • B-2880 Bornem, Belgium  
 32.3.890.5700 tel • 32.3.890.5701 fax  
 email: sales@clayton.be  
 www.clayton.be

**Latin America Headquarters**  
 Manuel L. Stampa 54 • Nueva Industrial Vallejo  
 Mexico D.F., 07700 Mexico  
 Toll Free: 01.800.888.4422 • (55)55.86.51.00 tel  
 (55)55.86.23.00 fax • email: claytonmexico@clayton.com.mx  
 www.claytonmexico.com.mx

ATLANTA • BOSTON • CHICAGO • CINCINNATI • CLEVELAND • DALLAS • DETROIT • KANSAS CITY • NEW YORK/NEW JERSEY • SAN FRANCISCO

Clayton Deutschland GmbH  
 Clayton Thermal Products Ltd (UK)

Clayton Scandinavia A.S.  
 Clayton Nederland B.V.

Clayton de France S.A.R.L.  
 Clayton Sales & Service Canada

**World Leaders in Precision Steam Generators, Fluid Heaters, Heat Recovery Systems and Customer Service**